



I Application

The sanitary and cost-efficient design of the Hyginox SE centrifugal pump makes it particularly suitable as main process pump in the dairy, beverage, pharmaceutical and cosmetic industries.

I Design and features

Hyginox SE is a range of close-coupled centrifugal pumps with sanitary design, compact and efficient. It is made of a cold-formed stainless steel casing, stainless steel open impeller (investment casting), mechanical seal, pump cover, lantern and shaft, connected to the motor shaft by mechanical compression.

The motor complies with the IEC standards, it is protected with a stainless steel shroud and provided with the height adjustable hygienically designed legs.

I Technical specifications

Materials:

Parts in contact with the product	Stainless steel AISI 316L (1.4404)
Other steel parts	Stainless steel AISI 304 (1.4301)
Gaskets in contact with the product	EPDM (according to FDA and EC 1935/2004)

Single internal mechanical seal EN 12756 I1k (according to FDA and EC 1935/2004):

Rotary part	Carbon (C)
Stationary part	Silicon carbide (SiC)
Gaskets	EPDM

Surface finish:

Internal	Ra<0,8 µm
External	Matt

Connections: DIN 11851

Operating limits:

Nominal pressure	10 bar	145 PSI
Temperature range	-10°C to +120 °C	14 °F to 248 °F
	+140°C (SIP, max- 30 min.)	284 °F
Maximum flow	130 m³/h 5	72 US GPM
Maximum differential head	90 m	295 ft
Maximum speed	3500 rpm	



I Motor

Triphasic induction motor with B34 flange (B35 for motor frame 132 and above), in compliance with the IEC standards, 2 poles = 3000/3600 rpm, efficiency class according to EC regulation, IP 55 protection and F-class insulation.

3 phases, 50 Hz, 230 V Δ / 400 V Y, ≤ 4 kW
 3 phases, 50 Hz, 400 V Δ / 690 V Y, ≥ 5,5 kW

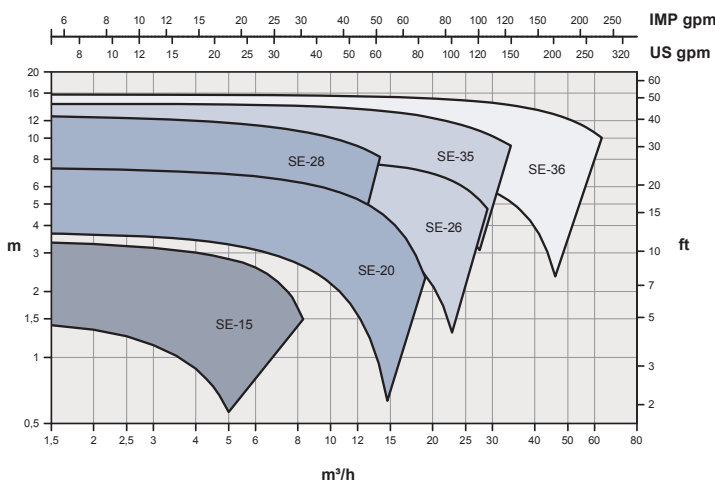
I Options

SiC/SiC mechanical seal.
 Gaskets: FPM and PTFE.
 Jacketed pump housing.
 Drain port.
 Other connection types.
 Motor with other voltages, frequencies, protection classes and efficiencies.
 Trolley and/or control panel.
 ATEX certification.

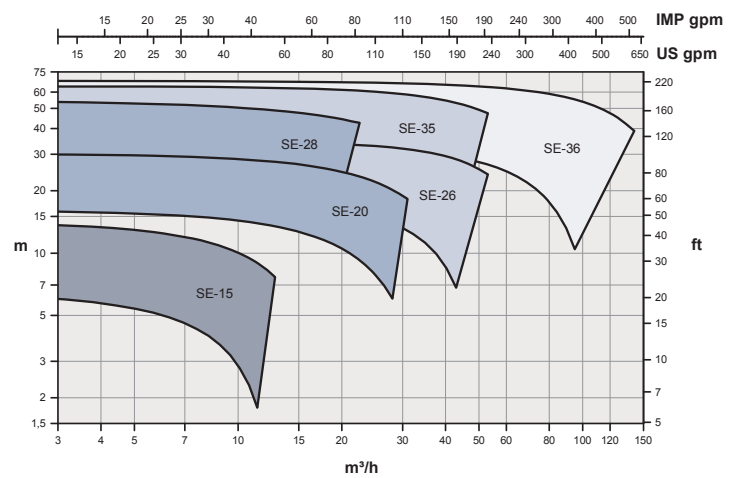
I Performance charts

50 Hz

1450 rpm

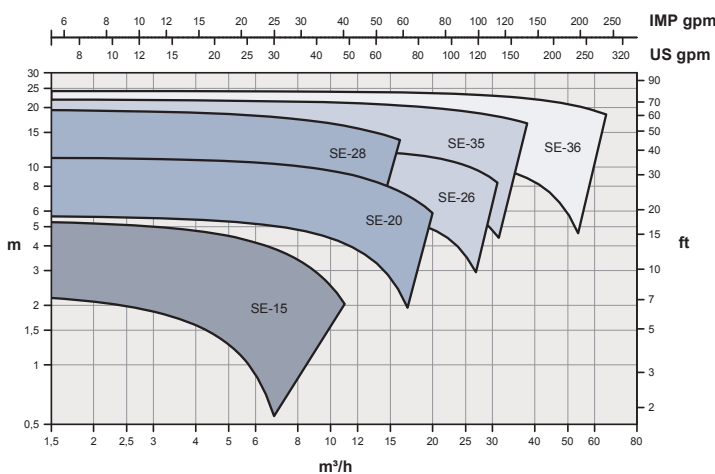


2900 rpm

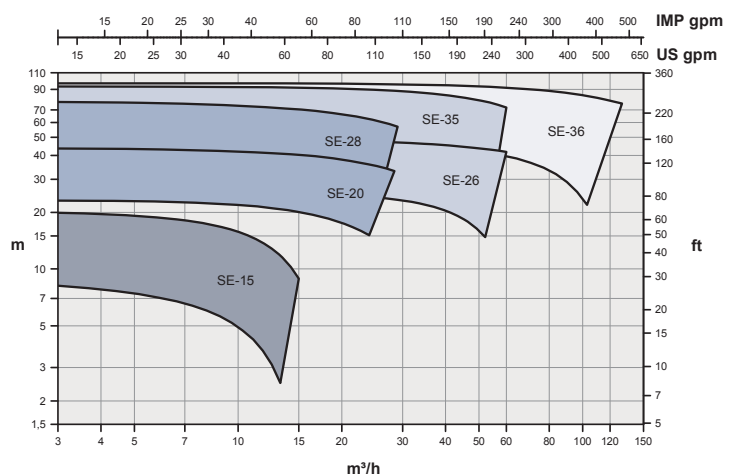


60 Hz

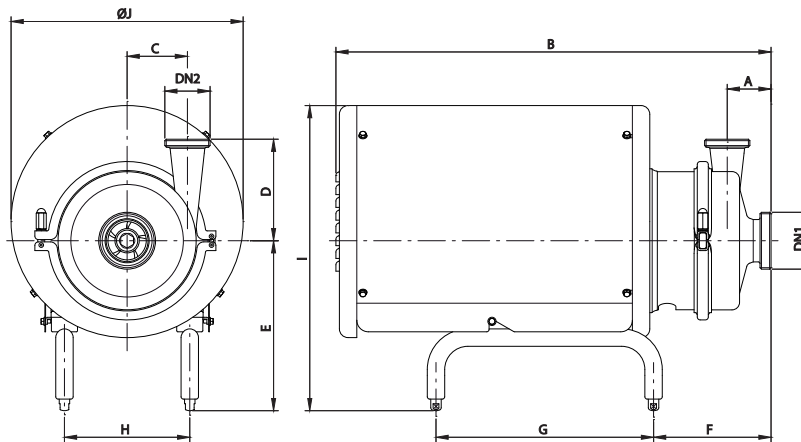
1750 rpm



3500 rpm



I Dimensions: Hyginox SE

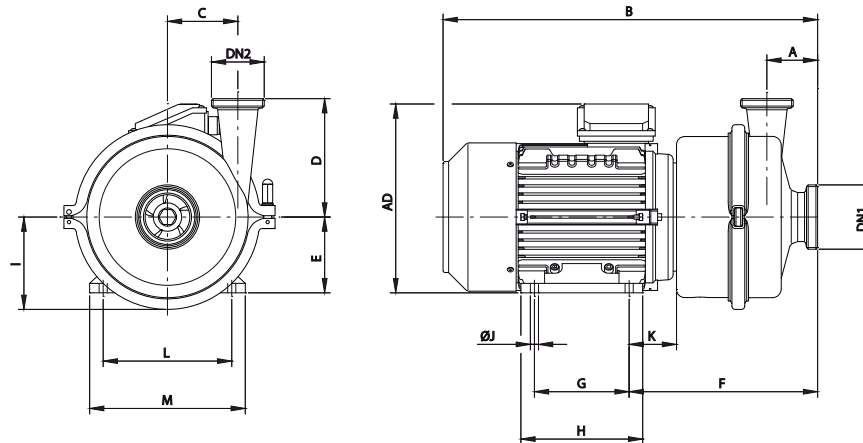


Pump	Size	Motor kW	rpm	DN1	DN2	A	B	C	D	E	F	G	H	I	ØJ	kg	
SE-15	A	71	0,25	1450	40	32	440	55	100	203	111	250	112	350	230	14	
			0,55													15	
	B	80	0,75	2950			22										
C	90S	1,1	24														
SE-20	C	90S	1,1	1450	50	40	530	74	140	227	154	275	132	415	290	30	
			1,5													29	
	D	100	2,2	2950			605			266	152	325	175	480	350	31	
			3													43	
E	112	4	49														
SE-26	C	90S	1,1	1450	65	50	540	72	150	227	162	275	132	415	290	31	
			3													43	
	D	100	4				2950			610	266	159	325	175	480	350	50
			5,5														56
			7,5														71
F	132S	7,5	79														
SE-28	C	90S	1,1	1450	40	40	535	106	165	227	157	275	132	415	290	36	
			3													48	
	D	100	4				2950			610	278	161	325	175	490	350	55
			5,5														61
			7,5														76
F	132S	7,5	84														
SE-35	D	100	2,2	1450	65	50	620	104	175	266	168	325	175	480	350	49	
			3													54	
	E	112	5,5				2950			750	278	175	325	175	490	400	62
			7,5														76
	F	132S	7,5				85										
			11				98										
G	160M	11	134														
SE-36	D	100	2,2	1450	100	65	620	98	181,5	266	168	325	175	480	350	52	
			3													57	
	E	112	4				2950			750	278	175	325	175	490	400	63
			7,5														88
	F	132S	7,5				101										
11			136														
G	160M	11	156														
			15				885			367	253	475	267	645	465		

Dimensions with DIN 11851 connections



I Dimensions: Hyginox SE without shroud and without legs



Pump	Size	Motor kW	rpm	DN1	DN2	A	B	C	D	E	F	G	H	AD	I	ØJ	K	L	M	kg
SE-15	A	71	0,25	40	32	55	375	55	100	71	202	90	105	185	80	7	45	112	140	10
			0,55				420			80	231	100	130	215		10	50	125	160	16
	B	80	0,75				445			90	237	100	130	235		10	56	140	180	18
	C	90S	1,1	50	40	55	450	74	140	90	237	100	130	235	105	10	56	140	180	24
			1,5				470			100	255	125	155	260		12	63	160	200	23
			2,2				510			112	262	140	180	280		12	70	190	230	26
	D	100	3	65	50	55	530	72	150	112	262	140	180	280	105	10	56	140	180	34
			4				545			112	268	140	180	280		12	63	160	200	34
			5,5				605			132	310	190	320	150		12	70	190	230	41
	E	112	4	40	40	65	605	106	165	132	310	140	190	320	137	10	56	140	180	47
			5,5				540			112	264	140	180	280		12	63	160	200	39
			7,5				600			132	306	190	320	150		12	70	190	230	52
	F	132S	7,5	65	50	75	605	104	175	132	310	140	190	320	150	10	56	140	180	59
			4				545			112	268	140	180	280		12	63	160	200	34
			5,5				605			132	310	190	320	150		12	70	190	230	41
	C	90S	1,1	65	50	55	450	72	150	90	244	100	130	235	105	10	56	140	180	25
			3				530			100	261	140	180	260		12	63	160	200	34
			4				545			112	268	140	180	280		12	70	190	230	41
	D	100	3	40	40	65	530	106	165	100	257	140	180	260	137	10	56	140	180	30
			4				540			112	264	140	180	280		12	63	160	200	39
			5,5				600			132	306	190	320	150		12	70	190	230	52
	E	112	4	65	50	75	540	104	175	112	278	140	180	280	134	10	56	140	180	46
			5,5				555			112	278	140	180	280		12	63	160	200	34
			7,5				610			132	320	178	230	150		12	70	190	230	53
	F	132S	7,5	65	50	75	610	104	175	132	320	178	230	320	150	10	56	140	180	65
			11				650			160	375	210	265	405		15	167	254	315	74
			11				765			160	375	210	265	405		15	167	254	315	87
	G	160M	15	100	65	75	765	981	181,5	160	375	210	265	405	175	15	167	254	315	116
			2,2				540			100	271	140	180	260		12	63	160	200	43
			3				555			112	278	140	180	280		12	70	190	230	48
	D	100	2,2	100	65	75	540	981	181,5	100	271	140	180	260	137	10	56	140	180	54
			3				555			112	278	140	180	280		12	70	190	230	48
			4				610			132	320	178	230	150		12	112	216	260	77
	E	112	4	65	50	75	555	104	175	112	278	140	180	280	134	10	56	140	180	54
			7,5				610			132	320	178	230	150		12	112	216	260	77
			11				650			160	375	210	265	405		15	167	254	315	90
	F	132M	11	65	50	75	650	104	175	132	320	178	230	320	150	10	56	140	180	118
			11				765			160	375	210	265	405		15	167	254	315	138
			15				765			160	375	210	265	405		15	167	254	315	138

Dimensions with DIN 11851 connections

