



I Application

The range of BFI series presents vertical direct motor-driven agitators. These agitators are used in processes of mixing, dissolution, dispersion and maintenance whenever powerful and high-speed agitation is required in the food processing, cosmetics, pharmaceutical or chemical industries. The agitators are normally fitted to small or medium volume tanks for work with low-viscosity products. Bearing support of the BFI series agitators is manufactured in stainless steel and it is indicated for the pharmaceutical applications.

I Operating principle

The agitators are normally installed inside the tank either centrally with current deflectors, or offset so that the offsetting itself prevents the rotation of the stirred product. The rotation of the propeller makes the fluid flow to the bottom and then up to the surface of the product along the walls of the tank. The effect is promoted if the bottom of the tank is curved. The saw tooth propeller promotes the dispersion of the product.



I Design and features

Vertical agitator.
 Double lip seal.
 Double ball bearing support.
 The propeller fixed to the shaft by means of a threaded connection and a gasket; the shaft is made of one piece.
 IEC motors, 1500 rpm, IP 55, F-class insulation.
 Maximum power 5,5 kW.
 Marine propeller (Type 10) or saw tooth propeller (Type 4).
 Indicated for work under pressure or in vacuum (-1 to 4 bar).

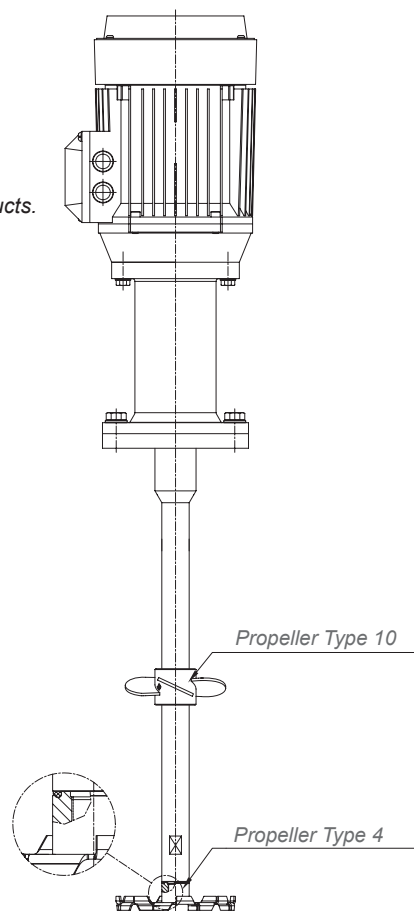
I Materials

Parts in contact with the product	AISI 316
Retainer	GYLON according to FDA 177.1550
Bearing support	AISI 316
Surface finish	Electropolished



I Options

- Double/flushed mechanical seal.
- Shaft and propeller lined with plastic material for use with corrosive products.
- Welded propeller with Ra ≤ 0,4 µm surface finish.
- Motor shroud.
- Motors with other protections.
- Motors: 950 rpm or 750 rpm.
- Geared motors or variable speed drives.



I Technical specifications and dimensions

Agitator type	Motor power [kW]	Speed [rpm]	Bearing support size	Dimensions				Agitator shaft		Type			
				C	Flange			ø d	L _{max.}	ø H	ø H	10	4
					ø A	ø B	DN					ø G(n)	Marine propeller
BFI 1.10-4011-1-160	1.1	1450	90	515	210	180	100	14(4)	20	1400	160	175	
BFI 1.10-4015-1-175	1.5												
BFI 1.10-4022-1-200	2.2		100	543									200
BFI 1.10-4030-1-200	3												
BFI 1.10-4040-1-225	4		112	546									200
BFI 1.10-4055-1-225	5.5												
BFI 1.10-6007-1-175	0.75	950	90	515	175								
BFI 1.10-6011-1-200	1.1												
BFI 1.10-6015-1-225	1.5		100	543		200							
BFI 1.10-6030-1-250	3												
BFI 1.4-4022-1-150	2.2		1450	100		543	225						
BFI 1.4-4040-1-200	4							112	546	250	150		



The information contained in this brochure is for guidance only. We reserve the right to modify any material or feature without notice in advance. For further information, please, consult our web site.

www.inoxpa.com



FtphBFI.1.EN-1008