

**I Application**

The bottom side entry agitators are used in process and storage tanks in the applications of the food-processing industry.  
 The main application is agitation of low viscosity products like wine, oil, milk, beer, alcohol, etc. in large volume tanks.

**I Operating principle**

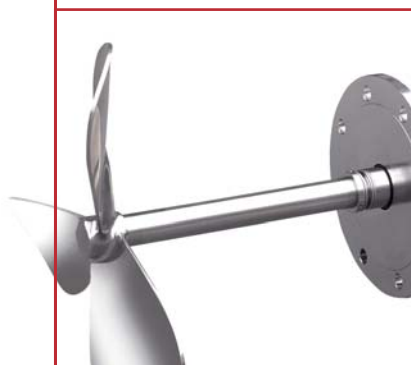
The LR agitators are driven by geared motors and the LM agitators are provided with direct motors.  
 These agitators are installed in a slanted position.  
 The rotation of the propeller creates a flow that impells the product to the bottom of the tank and then raises up to the surface along the wall opposite to the agitator. The effect is promoted if the bottom is curved.  
 The agitator is installed decentralized to enhance the circular flow. Thus a complete homogenization of the product is achieved.

**I Design and features**

Side entry agitator.  
 Internal mechanical seal: EN12756 (DIN 24960 L1K).  
 Economical for use in large volume tanks.  
 Robust and sanitary design.  
 Easy maintenance.  
 The propeller fixed to the shaft by means of a threaded connection and a gasket.  
 Helical geared motors.  
 Motor: 3 ph, 230/400 V, 50 Hz, IP55, 1500 rpm.  
 Marine propeller (Type10).

**I Materials**

Parts in contact with the product	AISI 316L
Lantern and bearing support	GG 15
Mechanical seal	C/SiC/EPDM
Gaskets	EPDM
Surface finish	electropolished

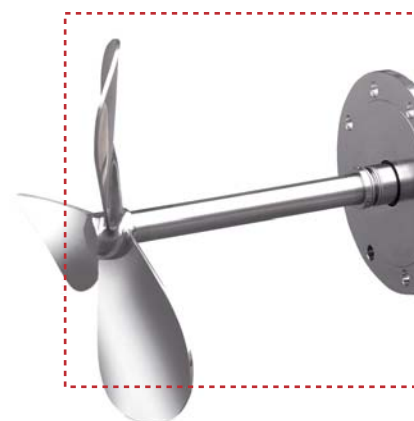


Propeller Type 19



**I Options**

- SiC/SiC mechanical seal.
- Double mechanical seal.
- Gaskets: FPM.
- Safety packing.
- High flow (Type 19) propeller for LR agitators.
- ¼" BSP ball valve for venting or dosing.
- St.St. motor shroud.
- Motors with other protections.
- ATEX (LR) model available.



**I Technical specifications**

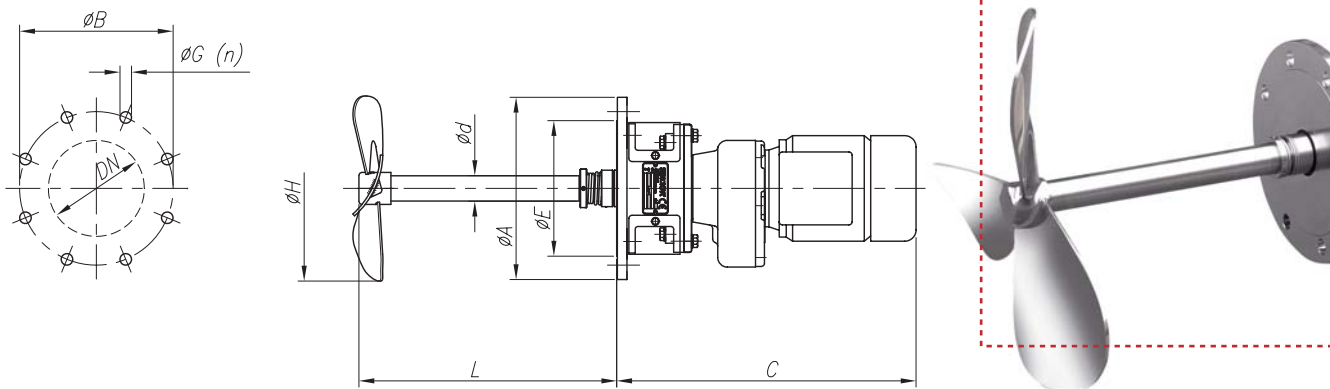
Type	Flow <sup>(1)</sup> [gpm]	Tank <sup>(2)</sup> [gallon]	Speed [rpm]	Power [Hp]	Weight [lb]
LR 1.10 - 20005 - 1 - 325	1092	1320-5280	200	0,75	119
LR 1.10 - 20007 - 1 - 400	2025	5280-13200		1	126
LR 1.10 - 20015 - 1 - 500	4051	13200-26400		2	141
LR 1.10 - 20030 - 1 - 600	6846	26400-39600		4	170
LR 1.10 - 20040 - 1 - 650	8709	39600-52800		5,5	298

Type	Flow <sup>(1)</sup> [gpm]	Tank <sup>(2)</sup> [gallon]	Speed [rpm]	Motor power [Hp]	Weight [lb]
LM 1.10-4015-1-175	1233	1320-5280	1500	2	101
LM 1.10-4030-1-200	1849	5282-13200		4	123
LM 1.10-4055-1-225	2615	13200-21100		7,5	145
LM 1.10-4075-1-250	3610	21100-37000		10	165
LM 1.10-4092-1-250				12,5	190
LM 1.10-4110-1-275	4781	37000-52800	14,75	320	
LM 1.10-6011-1-200	1211	1320-5280	1000	1,5	106
LM 1.10-6022-1-225	1717	5280-15850		3	137
LM 1.10-6030-1-250	2466			4	145
LM 1.10-6055-1-275	3170	15850-23800		7,5	165
LM 1.10-6075-1-300	4139	23800-39600		10	331
LM 1.10-6110-1-350	6428	39600-52800		14,75	401

(1) Theoretical flow.  
 (2) Tank volume advised to keep the homogeneity of the product.

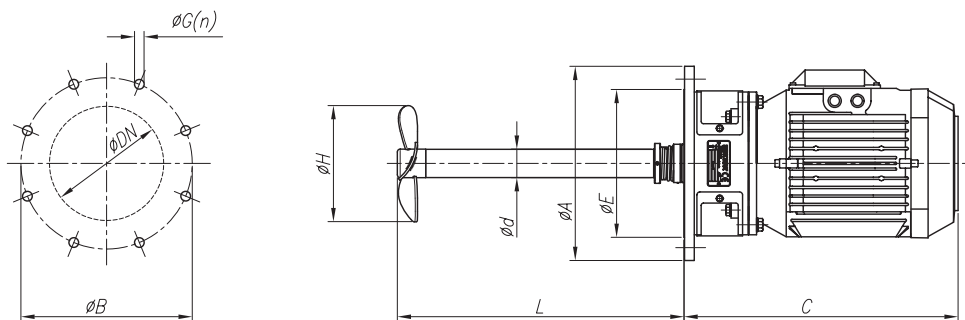


LR dimensions



Type	Flange					Agitator shaft		Ø H	C <sub>max</sub>
	Ø DN	Ø A	Ø B	Ø E	Ø G (n)	Ø d	L		
LR 1.10 - 20005 - 1 - 325	5,90	11,22	9,44	8,35	0,70 (8)	1,57	15,75	12,79	18,42
LR 1.10 - 20007 - 1 - 400								15,75	18,42
LR 1.10 - 20015 - 1 - 500								19,68	20,08
LR 1.10 - 20030 - 1 - 600	7,87	13,38	11,61	10,19	0,90 (8)	1,97	19,68	23,62	20,44
LR 1.10 - 20040 - 1 - 650	9,84	15,55	13,77	12,28	0,90 (12)	2,36		25,59	27,95

LM dimensions



Type	Flange					Agitator shaft		Ø H	C <sub>max</sub>
	Ø DN	Ø A	Ø B	Ø E	Ø G (n)	Ø d	L		
LM 1.10-4015-1-175	5,90	11,22	9,44	8,35	0,70 (8)	1,57	15,75	6,89	14,76
LM 1.10-4030-1-200								7,87	15,94
LM 1.10-4055-1-225								8,86	
LM 1.10-4075-1-250	7,87	13,38	11,61	10,19	0,90 (8)	1,97	19,68	9,84	19,68
LM 1.10-4092-1-250									
LM 1.10-4110-1-275	9,84	15,55	13,77	12,28	0,90 (12)	2,36	23,62	10,83	27,36
LM 1.10-6011-1-200	5,90	11,22	9,44	8,35	0,70 (8)	1,57	15,75	7,87	14,76
LM 1.10-6022-1-225								8,86	16,73
LM 1.10-6030-1-250								9,84	
LM 1.10-6055-1-275	7,87	13,38	11,61	10,19	0,90 (8)	1,97	19,68	9,84	19,68
LM 1.10-6075-1-300									10,83
LM 1.10-6110-1-350	9,84	15,55	13,77	12,28	0,90 (12)	2,36	23,62	11,81	27,36
								13,78	



The information contained in this brochure is for guidance only. We reserve the right to modify any material or feature without notice in advance. For further information, please, consult our web site. [www.inoxpa.com](http://www.inoxpa.com)

